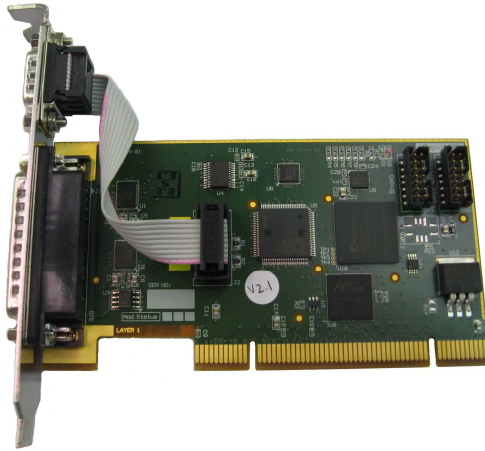


RM-SC Synchronous PCI Serial card



- REM CTRL (DE 9M)
 - Electrical: RS 485, RS 422, RS 232
 - Data rate: 1200, 2400, 4800, 6400, 9600, 19200, 38400, 57600, 115200
 - Asynchronous settings:
 - Data bits: 5, 6, 7 or 8 bits
 - Parity: Odd, Even, Mark, Space or None
 - Stop bits: 1, 1.5 or 2
 - Flow Control: RTS/CTS

Hardware

- **PCI v2.2**
- **1 x DE9 Male Asynchronous port**
- **1 x DB25 Male Sync/Async port**
- **Full or Low profile MD1 bracket**

Software

- **Windows™ XP & 2000 Driver software**
- **Interface DLL**

External Interfaces

- DCE Interface (DB 25M)
 - EIA 530 Synchronous/Asynchronous
 - Electrical: RS 422 / RS 232 / RS 423
 - Data rate: 50, 75, 150, 200, 300, 400, 600, 1200, 1800, 2400, 3200, 3600, 4800, 6400, 8000, 9600, 12800, 16000, 19200, 38400, 57600, 64000, 96000, 115200
 - Asynchronous settings:
 - Data bits: 5,6,7 or 8 bits
 - Parity: Odd, Even, Mark, Space or None
 - Stop bits: 1 or 2
 - Flow Control: None, RTS/CTS
 - Synchronous settings:
 - Clock source: Internal / External
 - Polarity: Normal / Inverted
- PCI v2.2 Compliant
- Synchronous card (MD1 size) is provided with a full size or Low profile bracket for space constrained PCs

Interface DLL

- **DLL API provided**
- **Manage and configure serial card**
- **Read/Write data**

The Synchronous PCI Serial Card is shipped with Windows XP and 2000 compliant setup application that installs the Serial Card Driver and interface DLL on the user system.

A Windows XP application can then interface with the synchronous card via the API exposed by the interface DLL.

DLL functionality

- **Management functions**
- **Port configuration functions**
- **Interface (Read/Write) functions**

The DLL allows the user application to set and get configuration information from the Synchronous Card.

Allow the application to set and get management information from the Synchronous Card and to clear file buffers.

Read and Write data to/and the card.

Security

RM-SC Synchronous PCI card can be used with Radio Cryptos

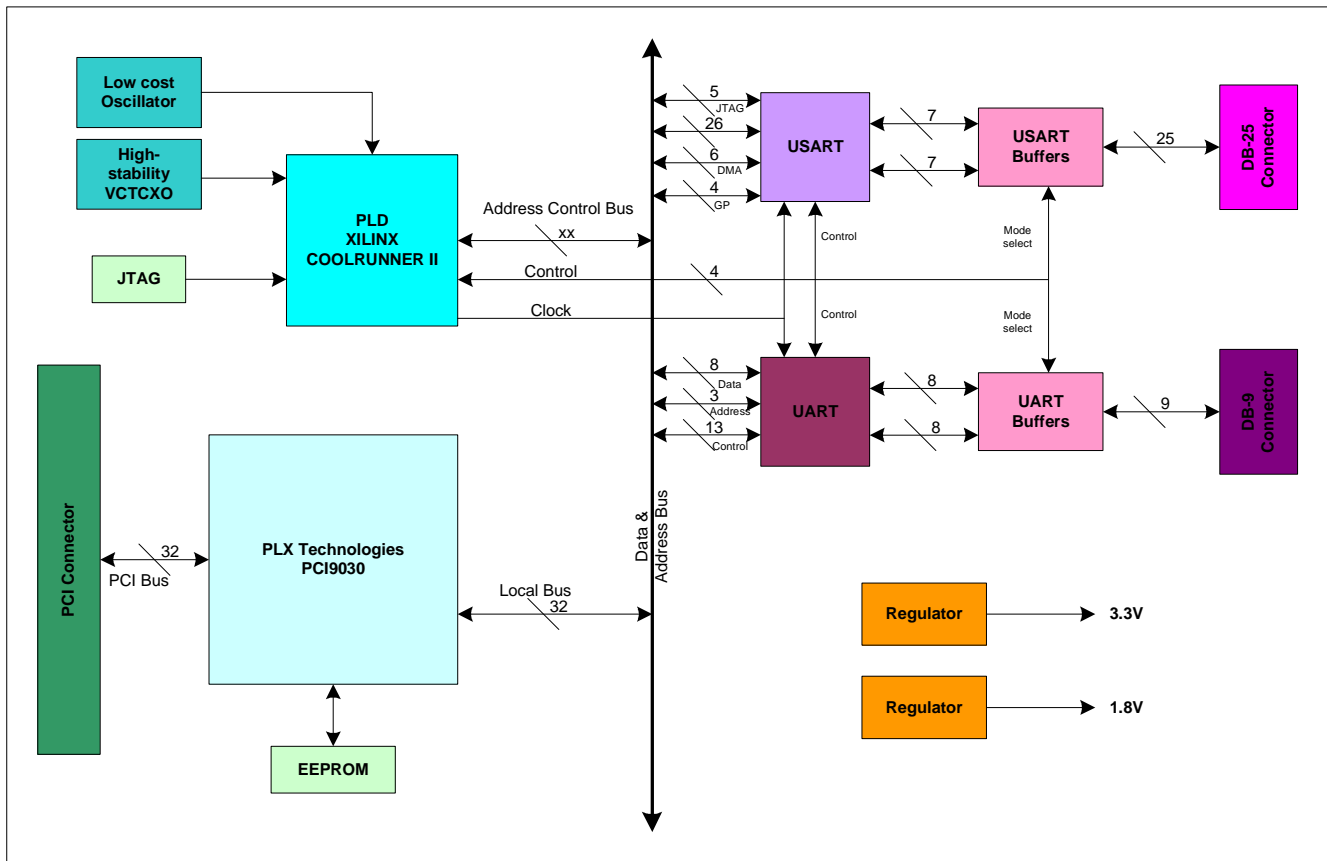


Fig 1: **RM-SC** Hardware Block Diagram

STANDARD	CHARACTERISTICS
DCE INTERFACE	RS-422 balanced, RS-423, RS-232 unbalanced, EIA 530A compliant (DB25 connector) Half & Full Duplex operation, sync, standard async and high-speed mode supported: <ul style="list-style-type: none"> Synchronous: Data Rate: 50, 75, 100, 150, 200, 300, 400, 600, 1200, 1800, 2400, 3200, 3600, 4800, 6400, 8000, 9600, 12800, 16000, 19200 bps, Clock: Internal / Ext., Data polarity: norm / inv. Asynchronous: 75 to 115200 bps, Full Duplex, 5/6/7/8 bit data, 1, 2 stop bits, Flow ctrl: CTS/RTS or None, Data polarity: norm / inv.
REM CTRL INTERFACE	RS-485 Multi-drop, RS-232D (DE9 connector, male), RS-422: Data Rate: 1200 to 115200 bps, 1, 1.5 or 2 stop bits, 5, 6, 7 or 8 data bits. Flow Control CTS/RTS, None
PCI	PCI version 2.2 compliant
DRIVER & DLL	Windows XP & 2000 compliant driver Windows XP & 2000 installation procedure Application API provided
CABLING	Standard Common of the Shelf Cable
CARD SIZE	"MD1" size : 120 x 64.4 mm
BRACKET	The synchronous card can be fitted with either full size bracket or low profile (MD1) bracket. When the remote control port is used with the low profile bracket the remote control port will occupy an additional slot.

Apex Corporate Park
 Quintin Brand Street
 Persequor Park
 Pretoria, South Africa
 0020

Rapid Mobile Pty (Ltd)
Tel: +27 (0) 12 349 0000
Fax: +27 (0) 12 349 0010
e-mail: info@rapidm.com
web: www.rapidm.com